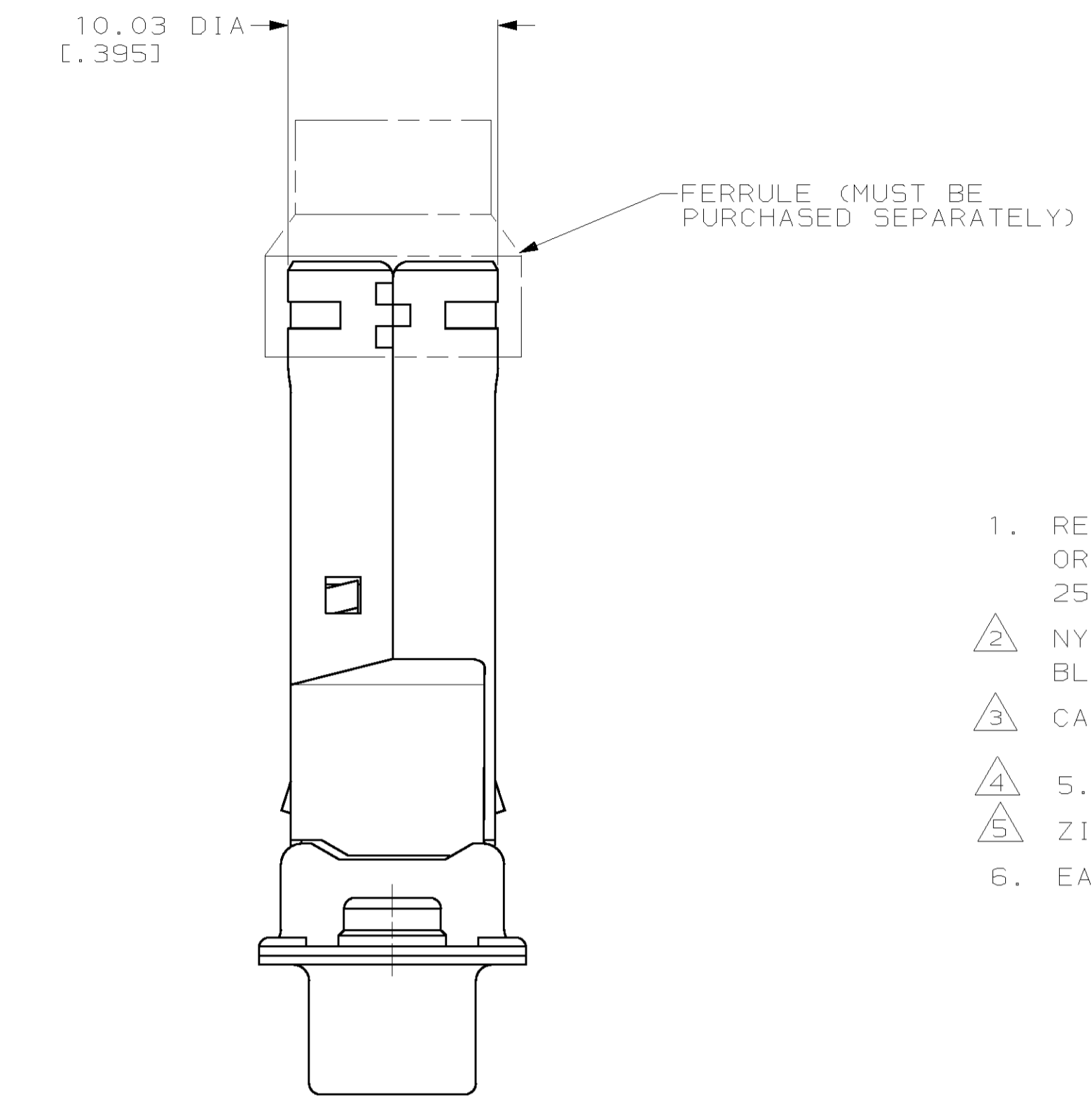
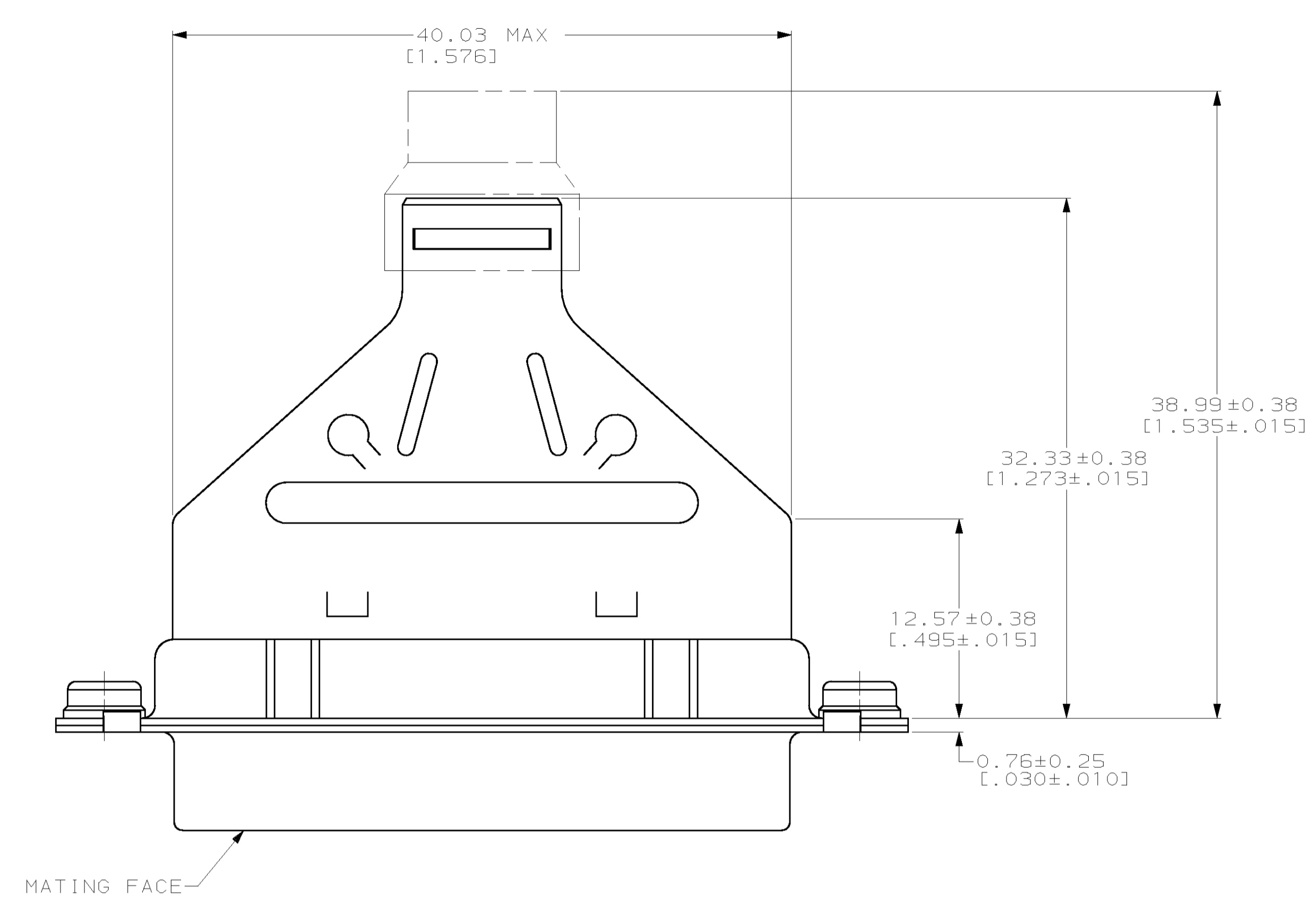
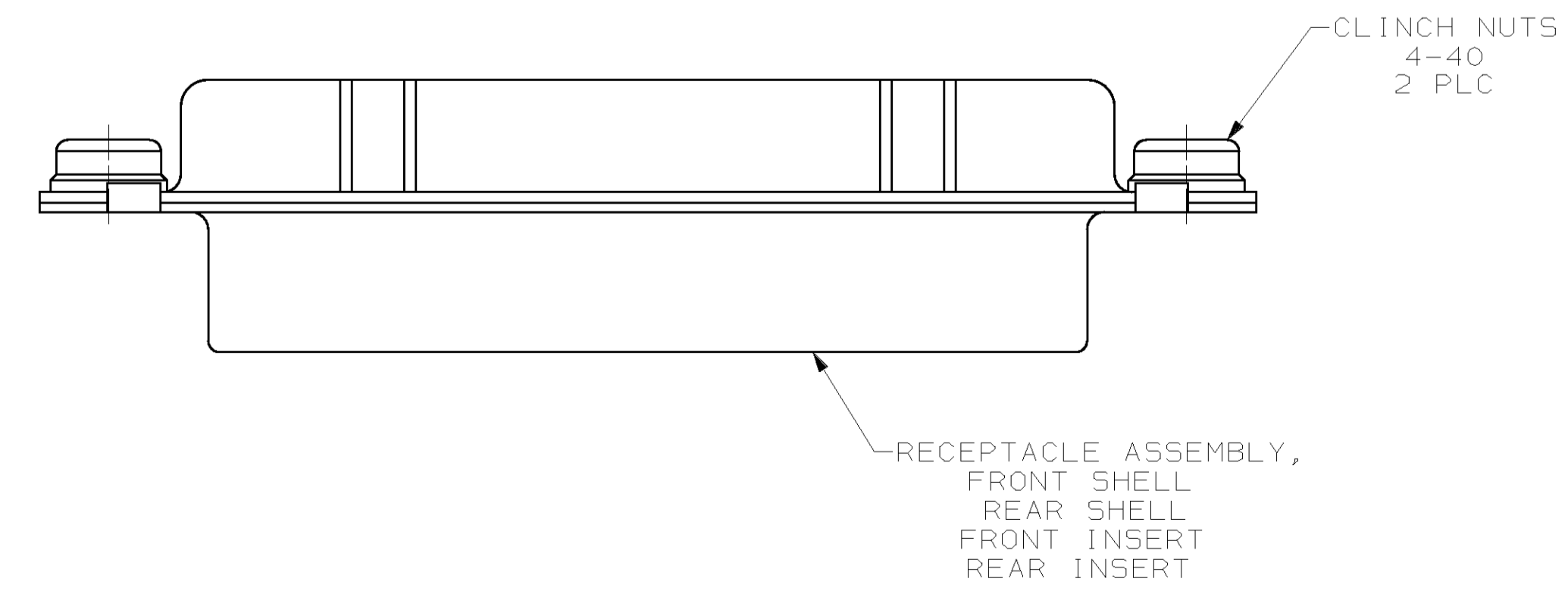
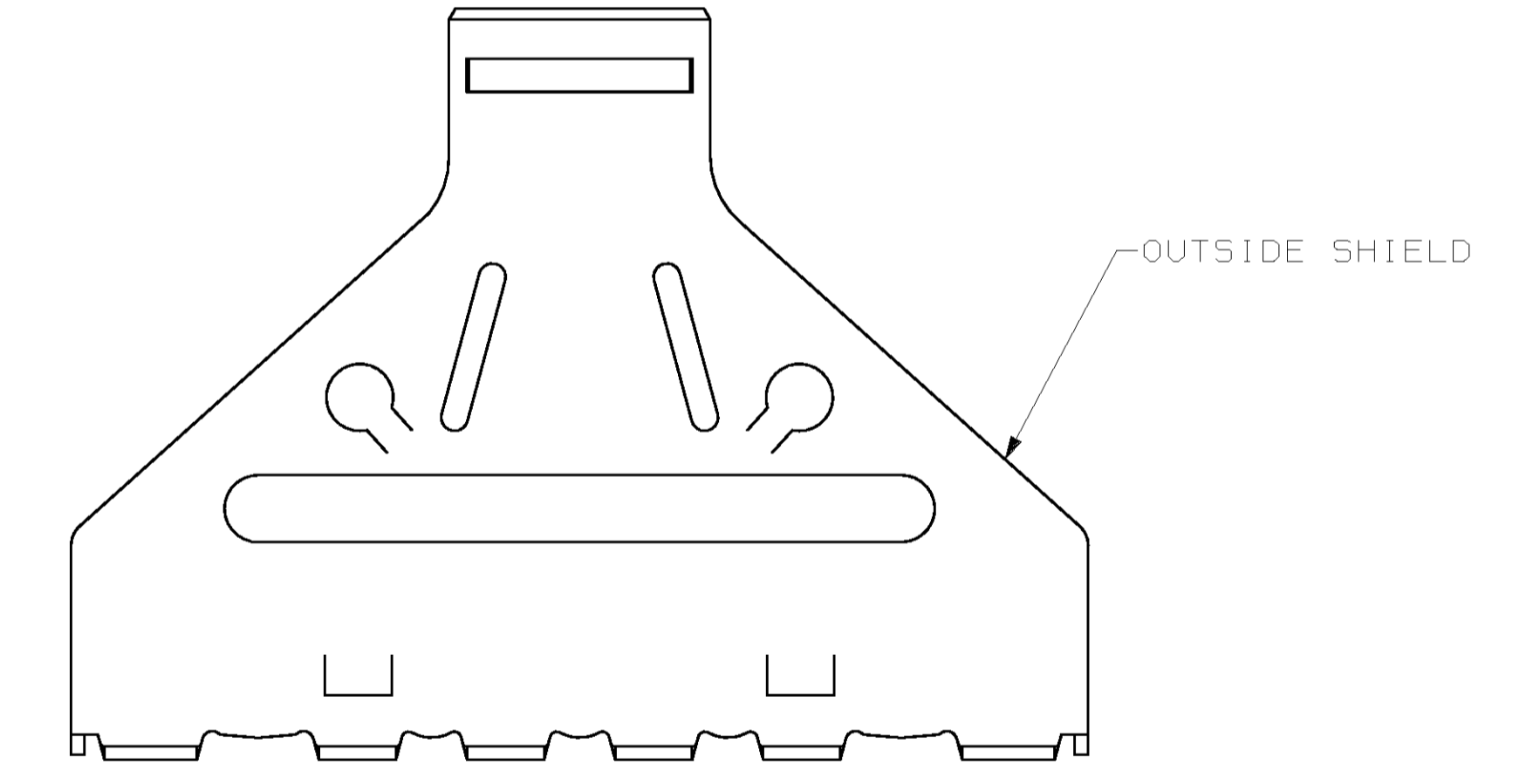
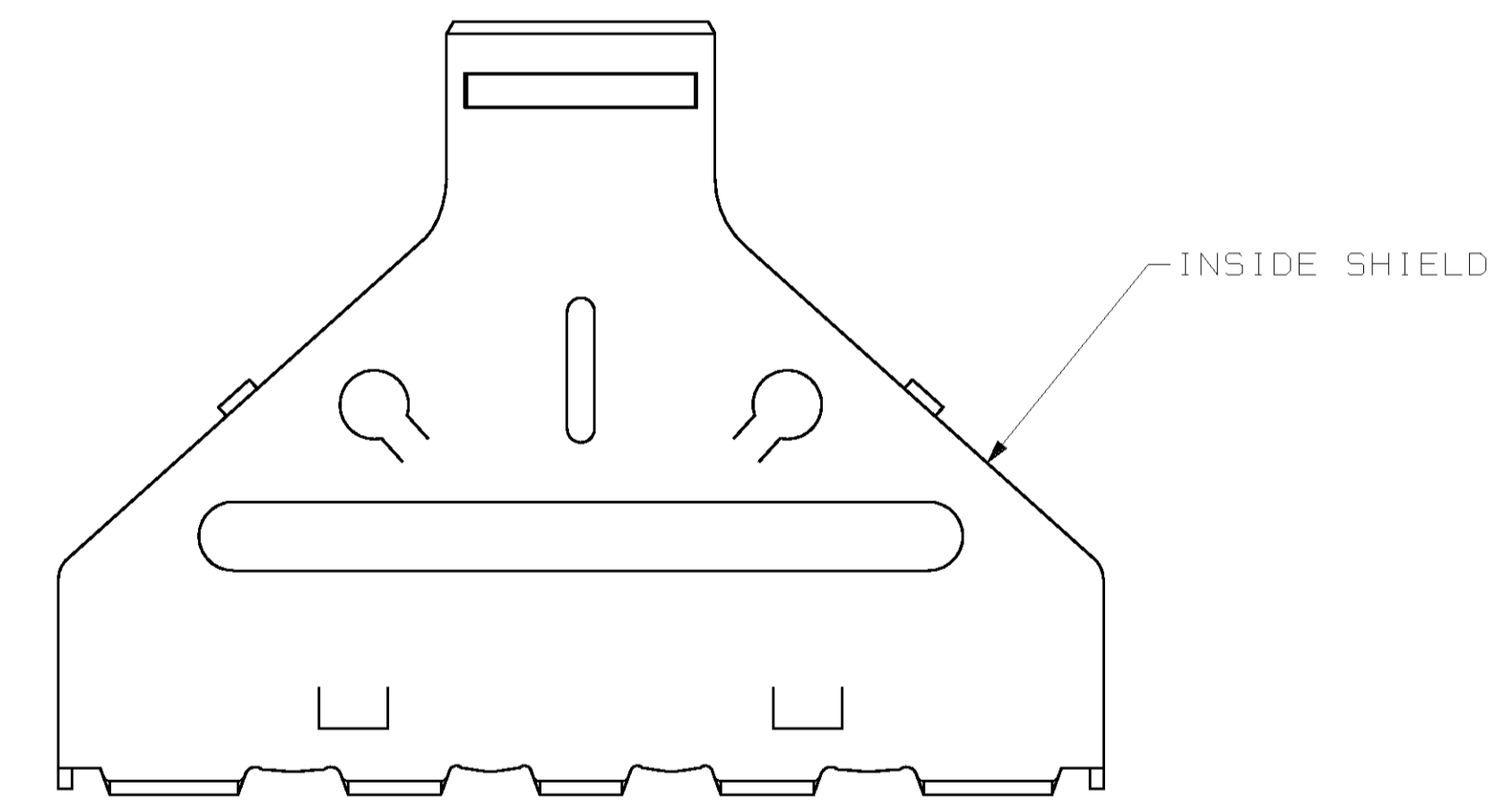
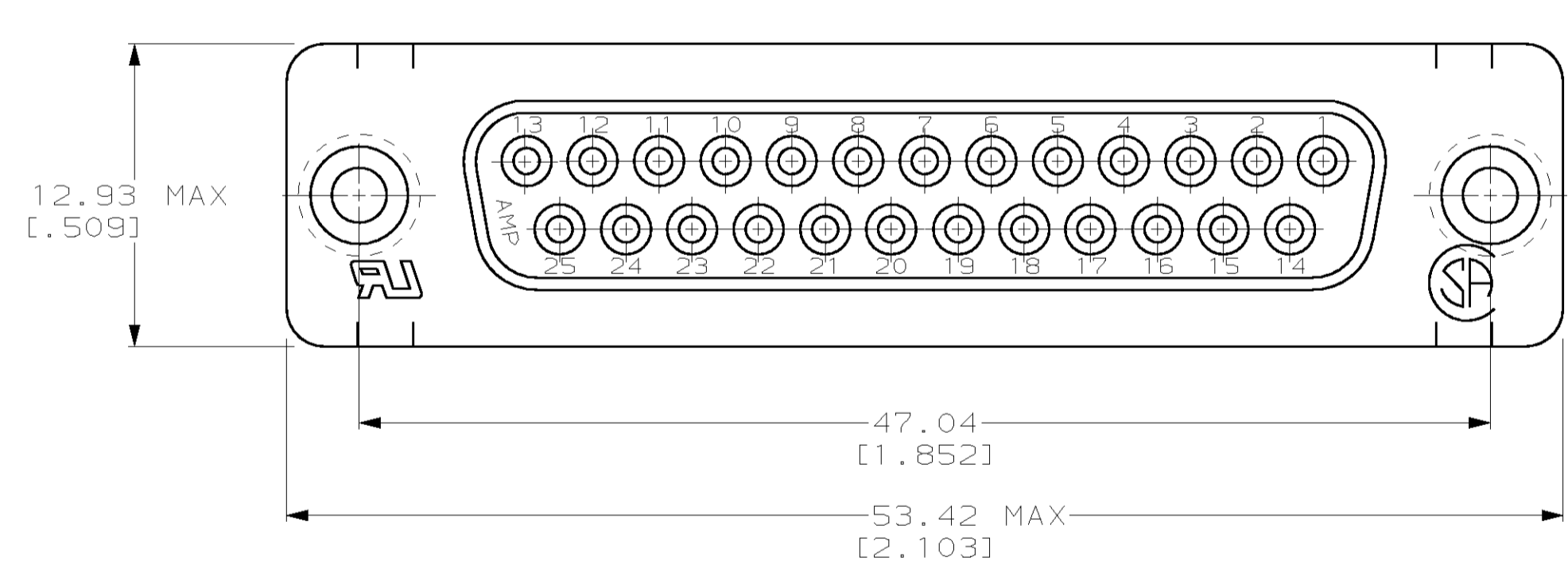


LOC		DIST		REVISIONS			
GP	00	TR	LYR	DESCRIPTION	DATE	DWN	APPR
		0		RELEASED PER EC 0513-0196-03	31JUL03	JR	JG



- RECEPTACLE ACCEPTS SIZE 20 PIN CONTACTS, CONTACTS MUST BE ORDERED SEPARATELY. ASSEMBLY MATES WITH ANY 25 POSN PLUG IN AMPLIMITE® SERIES.
- NYLON, FLAME RETARDANT, UL 94V-0 RATED, GLASS FILLED, BLACK.
- CARBON STEEL PER ASTM A 109.
- 5.08µm [0.000200] MIN TIN OVER 2.54µm [0.000100] MIN COPPER.
- ZINC PLATED.
- EACH PART INDIVIDUALLY BULK PACKED.



1658662-1
PART NO

THIS DRAWING IS A CONTROLLED DOCUMENT.		DWN J. REITZEL 31JUL03	AMP Incorporated Harrisburg, PA 17105-3608
DIMENSIONS: mm [INCHES]		CHK S. BOJASH 31JUL03	AMP M. WALMSLEY 31JUL03
TOLERANCES UNLESS OTHERWISE SPECIFIED:		NAME RECEPTACLE KIT, SIZE 3, 25 POSN, WITH CLINCH NUTS, SHIELDING HARDWARE, AMPLIMITE™ HDP-20	PRODUCT SPEC 108-40030
0 PLC ±.01		APPLICATION SPEC 114-40030	RESTRICTED TO
1 PLC ±.02		SIZE A1	CAGE CODE 00779
2 PLC ±0.13 [0.005]		DRAWING NO 1658662	SCALE 2:1
3 PLC ±.01		WEIGHT -	SHEET 1 OF 1
4 PLC ±.005		CUSTOMER DRAWING	REV 0
ANGLES ±.2°			
MATERIAL INSERTS: Δ	FINISH		
SHELLS & SHIELDS: Δ			
CLINCH NUTS: Δ			